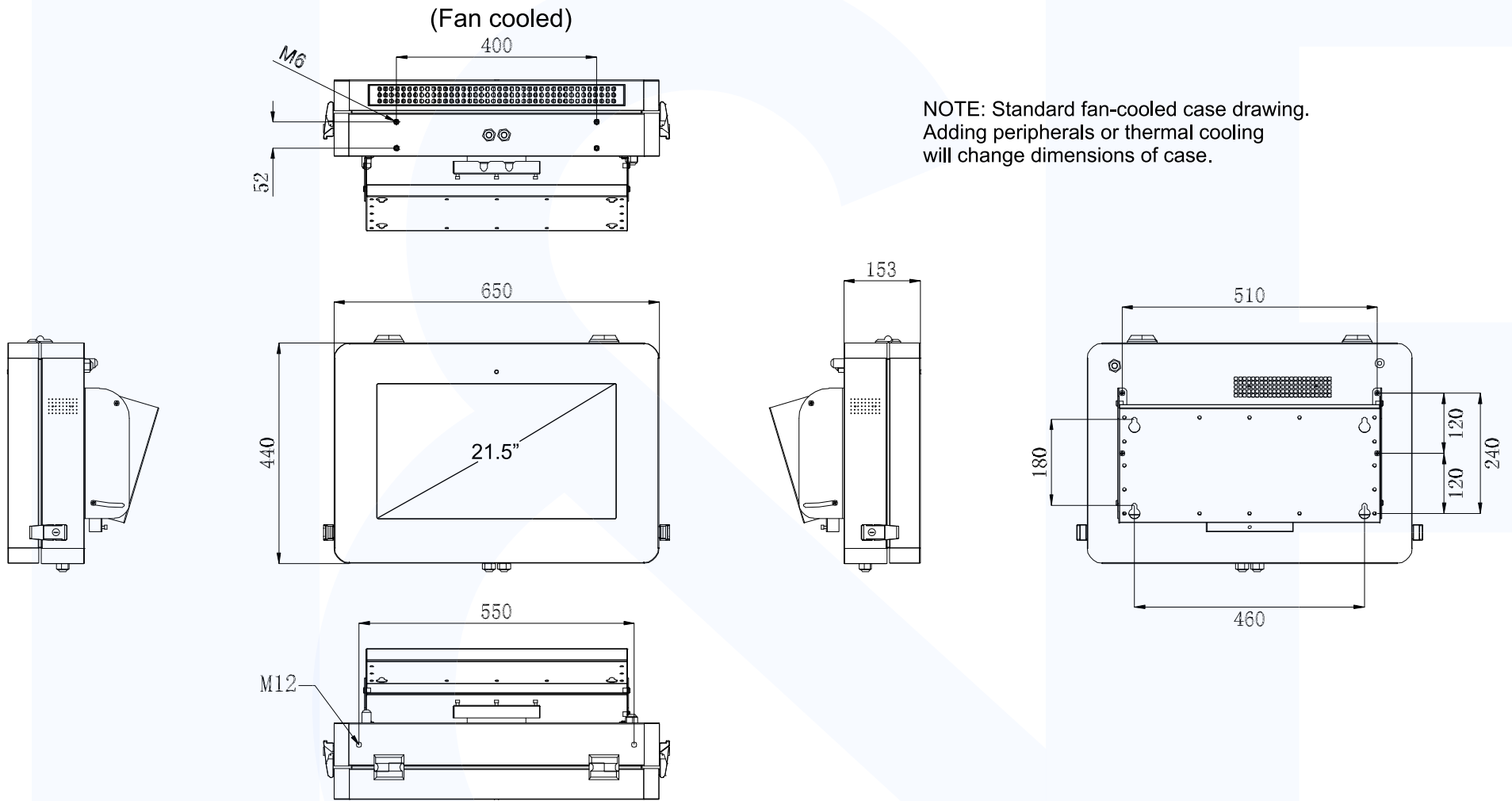


ODKS-22

For reference only – drawing subject to change without prior notice



NOTE: Standard fan-cooled case drawing.
Adding peripherals or thermal cooling
will change dimensions of case.

Dimensions in mm