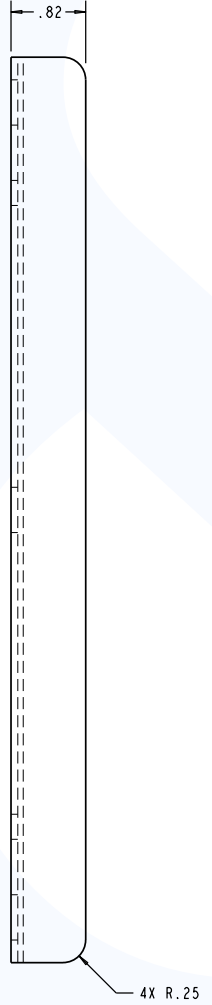
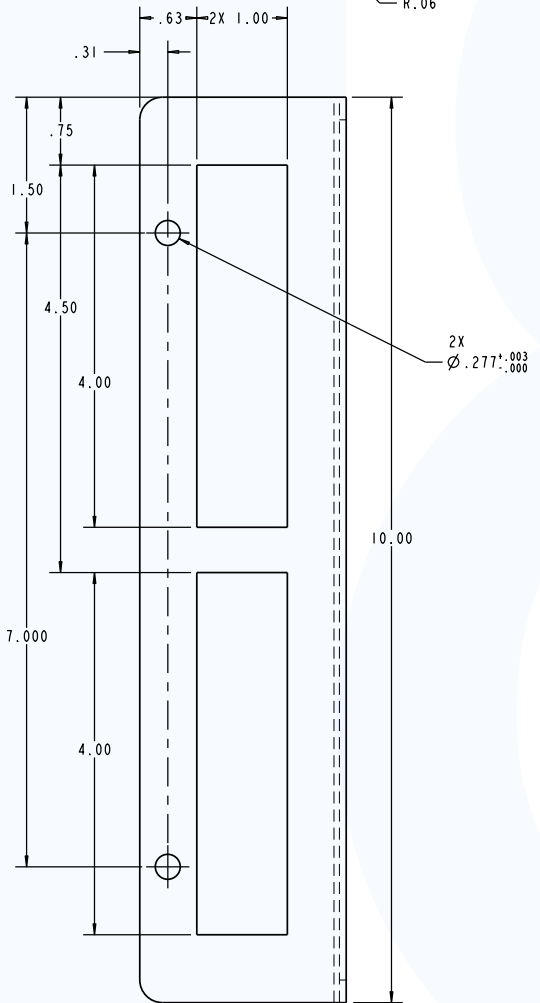


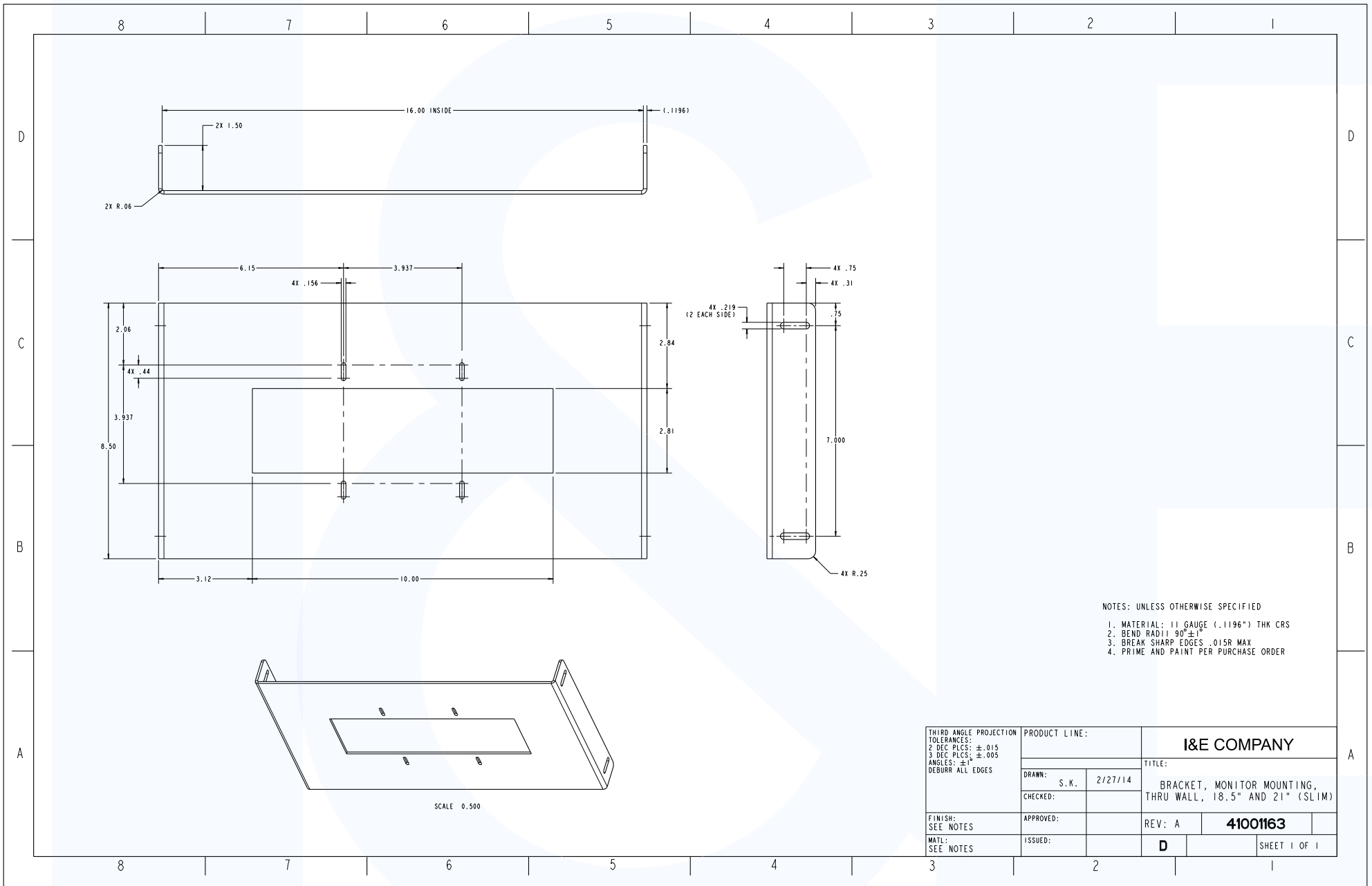
ASSEMBLY
SCALE 0.500



NOTES:
UNLESS OTHERWISE SPECIFIED

1. MATERIAL: 14 GAUGE (.0747") THK CRS
2. BEND RADII 90° ± 1°
3. INSIDE BEND RADII .060 MAX
4. MINIMUM BEND RELIEFS REQUIRED
5. BREAK SHARP EDGES .015R MAX
6. PRIME AND PAINT PER PURCHASE ORDER

THIRD ANGLE PROJECTION TOLERANCES: 2 DEC PLCS: ±.015 3 DEC PLCS: ±.005 ANGLES: ±1° DEBURR ALL EDGES	PRODUCT LINE:		I&E COMPANY	
	DRAWN: S.K.	2/27/14		
FINISH: SEE NOTES	APPROVED:	REV: A	41001159	
MATL: SEE NOTES	ISSUED:	C	SHEET 1 OF 1	
			BRACKET, MONITOR SUPPORT, THRU WALL (SLIM)	



- NOTES: UNLESS OTHERWISE SPECIFIED
1. MATERIAL: 11 GAUGE (.1196") THK CRS
 2. BEND RADII 90° ±1"
 3. BREAK SHARP EDGES .015R MAX
 4. PRIME AND PAINT PER PURCHASE ORDER

THIRD ANGLE PROJECTION TOLERANCES: 2 DEC PLCS: ±.015 3 DEC PLCS: ±.005 ANGLES: ±1° DEBURR ALL EDGES	PRODUCT LINE:		I&E COMPANY	
	DRAWN: S.K. 2/27/14			
FINISH: SEE NOTES	CHECKED:	APPROVED:	REV: A	41001163
MATL: SEE NOTES	ISSUED:		D	SHEET 1 OF 1