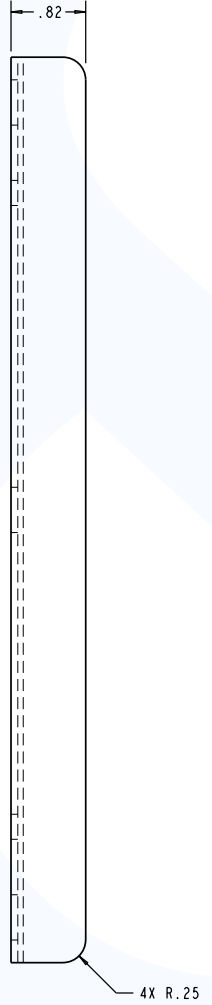
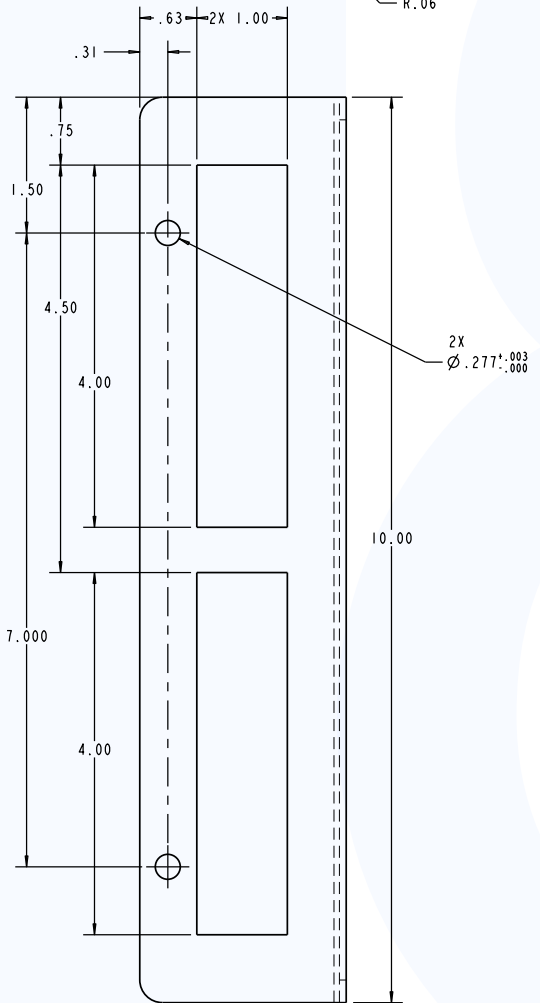


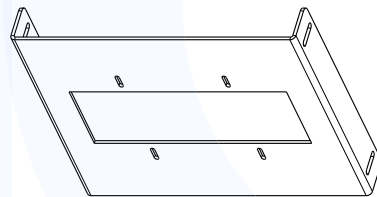
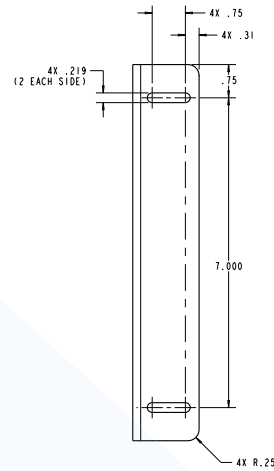
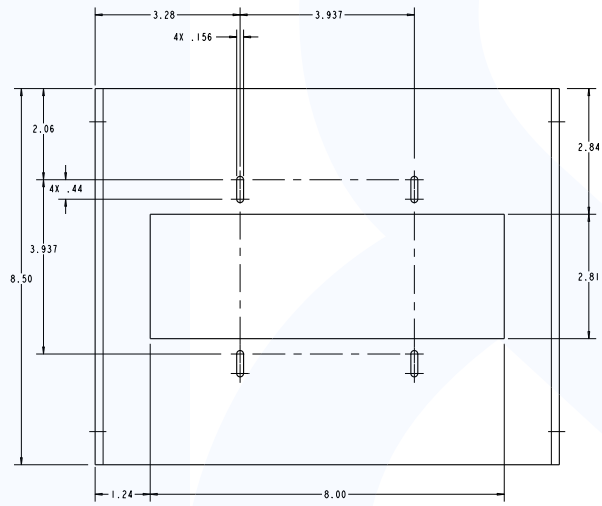
ASSEMBLY  
SCALE 0.500



NOTES:  
UNLESS OTHERWISE SPECIFIED

1. MATERIAL: 14 GAUGE (.0747") THK CRS
2. BEND RADII 90° ± 1°
3. INSIDE BEND RADII .060 MAX
4. MINIMUM BEND RELIEFS REQUIRED
5. BREAK SHARP EDGES .015R MAX
6. PRIME AND PAINT PER PURCHASE ORDER

THIRD ANGLE PROJECTION TOLERANCES: 2 DEC PLCS: ±.015 3 DEC PLCS: ±.005 ANGLES: ±1° DEBURR ALL EDGES	PRODUCT LINE:		<b>I&amp;E COMPANY</b>	
	DRAWN: S.K.	2/27/14		
FINISH: SEE NOTES	APPROVED:	REV: A	<b>41001159</b>	
MATL: SEE NOTES	ISSUED:	<b>C</b>	SHEET 1 OF 1	
			BRACKET, MONITOR SUPPORT, THRU WALL (SLIM)	



SCALE 0.500

- NOTES: UNLESS OTHERWISE SPECIFIED
1. MATERIAL: 11 GAUGE (.1196") THK CRS
  2. BEND RADII  $90^{\circ} \pm 1^{\circ}$
  3. BREAK SHARP EDGES .015R MAX
  4. PRIME AND PAINT PER PURCHASE ORDER

THIRD ANGLE PROJECTION TOLERANCES: 2 DEC PLCS: $\pm .015$ 3 DEC PLCS: $\pm .005$ ANGLES: $\pm 1^{\circ}$ DEBURR ALL EDGES	PRODUCT LINE:		<b>I&amp;E COMPANY</b>	
	DRAWN: S.K.	2/27/14		
	CHECKED:		BRACKET, MONITOR MOUNTING THRU WALL, 12" (SLIM)	
FINISH: SEE NOTES	APPROVED:	REV: A	<b>41001161</b>	
MATL: SEE NOTES	ISSUED:	<b>D</b>		SHEET 1 OF 1